

# LED Integrated Bulkhead



## Product information

Tungsramp bulkhead range offer an excellent choice with simple and elegant design in 3 sizes. It is a wall and ceiling LED luminaire that can be used in versatile application areas including damp environments, entrance halls, receptions, stairwells, corridors, circulation routes, rest areas and outside walls of buildings. The range includes products with static and DALI control, motion sensor.

## Features

- Power: from 17W to 30W
- Control: DALI and Static control
- Finish: Opal diffuser, optional Eyelid accessory available
- Efficiency: up to 120lm/W
- Luminous flux: up to 3240lm
- CCT: 3000K and 4000K
- Lifetime: 60.000 hours @ L80/B10
- 5 years Warranty
- IP65
- IK10
- Programmable Microwave Sensor Options
- Flicker free Driver
- Easy installation with preset screws
- Class II isolation class
- High quality Samsung chips

## Benefits

- Energy savings of up to 60% (compared to luminaires that use 2D fluorescent lamps)
- Integrated light module with optic
- Uniform light
- Fast, simple and easy installation options

## Structures and materials

**Body / Diffuser / Bezel:** impact resistant polycarbonate  
**Body color:** white

## Optical and LED specification

- Min 80 CRI
- No-flickering integrated driver
- Opal diffuser

## Application areas



Office



Public buildings



Corridors and staircases

# Specification summary

Product code	Product description	Control	Dimensions (mm)	Wattage (W)	Lumen (lm)	System Efficiency (lm/W)	CCT (K)	CRI (Ra)	Beam angle (°)	IP	IK	Weight (kg)	Ambient Temperature (°C)	Rated life L80B10 (h) @ 25°C
<b>STATIC BASIC</b>														
93119919	LED Bulkhead G2 TU D25 17W 830 S NNN	static	Ø250 x 100	17	1870	110	3000	80+	120	65	10	0.5	-25 to +45	60k
93119318	LED Bulkhead G2 TU D25 17W 840 S NNN	static	Ø250 x 100	17	2040	120	4000	80+	120	65	10	0.5	-25 to +45	60k
93119319	LED Bulkhead G2 TU D30 17W 840 S NNN	static	Ø300 x 106	17	2040	120	4000	80+	120	65	10	0.7	-25 to +45	60k
93119920	LED Bulkhead G2 TU D30 25W 830 S NNN	static	Ø300 x 106	25	2750	110	3000	80+	120	65	10	0.7	-25 to +45	60k
93119320	LED Bulkhead G2 TU D30 25W 840 S NNN	static	Ø300 x 106	25	3000	120	4000	80+	120	65	10	0.7	-25 to +45	60k
93119321	LED Bulkhead G2 TU D33 20W 840 S NNN	static	Ø330 x 106	20	2400	120	4000	80+	120	65	10	0.7	-25 to +45	60k
93119322	LED Bulkhead G2 TU D33 27W 840 S NNN	static	Ø330 x 106	27	3240	120	4000	80+	120	65	10	0.7	-25 to +45	60k
93120344	LED Bulkhead G2 TU D25 17W 840 S NNN DS	static	Ø250 x 100	17	2040	120	4000	80+	120	65	10	0.5	-25 to +45	60k
93120345	LED Bulkhead G2 TU D30 17W 840 S NNN DS	static	Ø300 x 106	17	2040	120	4000	80+	120	65	10	0.7	-25 to +45	60k
93120346	LED Bulkhead G2 TU D30 25W 840 S NNN DS	static	Ø300 x 106	25	3000	120	4000	80+	120	65	10	0.7	-25 to +45	60k
93120347	LED Bulkhead G2 TU D33 20W 840 S NNN DS	static	Ø330 x 106	20	2400	120	4000	80+	120	65	10	0.7	-25 to +45	60k
93120348	LED Bulkhead G2 TU D33 27W 840 S NNN DS	static	Ø330 x 106	27	3240	120	4000	80+	120	65	10	0.7	-25 to +45	60k
<b>DALI</b>														
93119349	LED Bulkhead G2 TU D30 18W 840 D NNN	DALI	Ø300 x 106	18	1980	110	4000	80+	120	65	10	0.8	-25 to +45	60k
93119351	LED Bulkhead G2 TU D33 18W 840 D NNN	DALI	Ø330 x 106	18	1980	110	4000	80+	120	65	10	0.8	-25 to +45	60k
<b>MOTION AND DAYLIGHT SENSOR</b>														
93119918	LED Bulkhead G2 TU D25 17W 830 S NNM	static	Ø250 x 100	17	1870	110	3000	80+	120	65	10	0.6	-25 to +45	60k
93119333	LED Bulkhead G2 TU D25 17W 840 S NNM	static	Ø250 x 100	17	2040	120	4000	80+	120	65	10	0.6	-25 to +45	60k
93119334	LED Bulkhead G2 TU D30 17W 840 S NNM	static	Ø300 x 106	17	2040	120	4000	80+	120	65	10	0.8	-25 to +45	60k
93119922	LED Bulkhead G2 TU D30 25W 830 S NNM	static	Ø300 x 106	25	2750	110	3000	80+	120	65	10	0.8	-25 to +45	60k
93119335	LED Bulkhead G2 TU D30 25W 840 S NNM	static	Ø300 x 106	25	3000	120	4000	80+	120	65	10	0.8	-25 to +45	60k
93119336	LED Bulkhead G2 TU D33 17W 840 S NNM	static	Ø330 x 106	17	2040	120	4000	80+	120	65	10	0.8	-25 to +45	60k
93119337	LED Bulkhead G2 TU D33 27W 840 S NNM	static	Ø330 x 106	27	3240	120	4000	80+	120	65	10	0.8	-25 to +45	60k
<b>EMERGENCY 3 HOURS</b>														
93119921	LED Bulkhead G2 TU D30 20W 830 S EMN	static	Ø300 x 106	20	2040	102	3000	80+	120	65	10	0.9	0 to +25	60k
93119361	LED Bulkhead G2 TU D30 20W 840 S EMN	static	Ø300 x 106	20	2100	105	4000	80+	120	65	10	0.9	0 to +25	60k
93119362	LED Bulkhead G2 TU D33 20W 840 S EMN	static	Ø330 x 106	20	2040	102	4000	80+	120	65	10	0.9	0 to +25	60k
<b>MOTION AND DAYLIGHT SENSOR + EMERGENCY</b>														
93119369	LED Bulkhead G2 TU D33 20W 840 S EMM	static	Ø330 x 106	20	2040	102	4000	80+	120	65	10	0.9	0 to +25	60k
93119370	LED Bulkhead G2 TU D33 30W 840 S EMM	static	Ø330 x 106	30	3150	105	4000	80+	120	65	10	0.9	0 to +25	60k
<b>ACCESSORIES</b>														
93119685	LED Bulkhead G2 TU D30 Eyelid B													
93119722	LED Bulkhead G2 TU EM Battery													

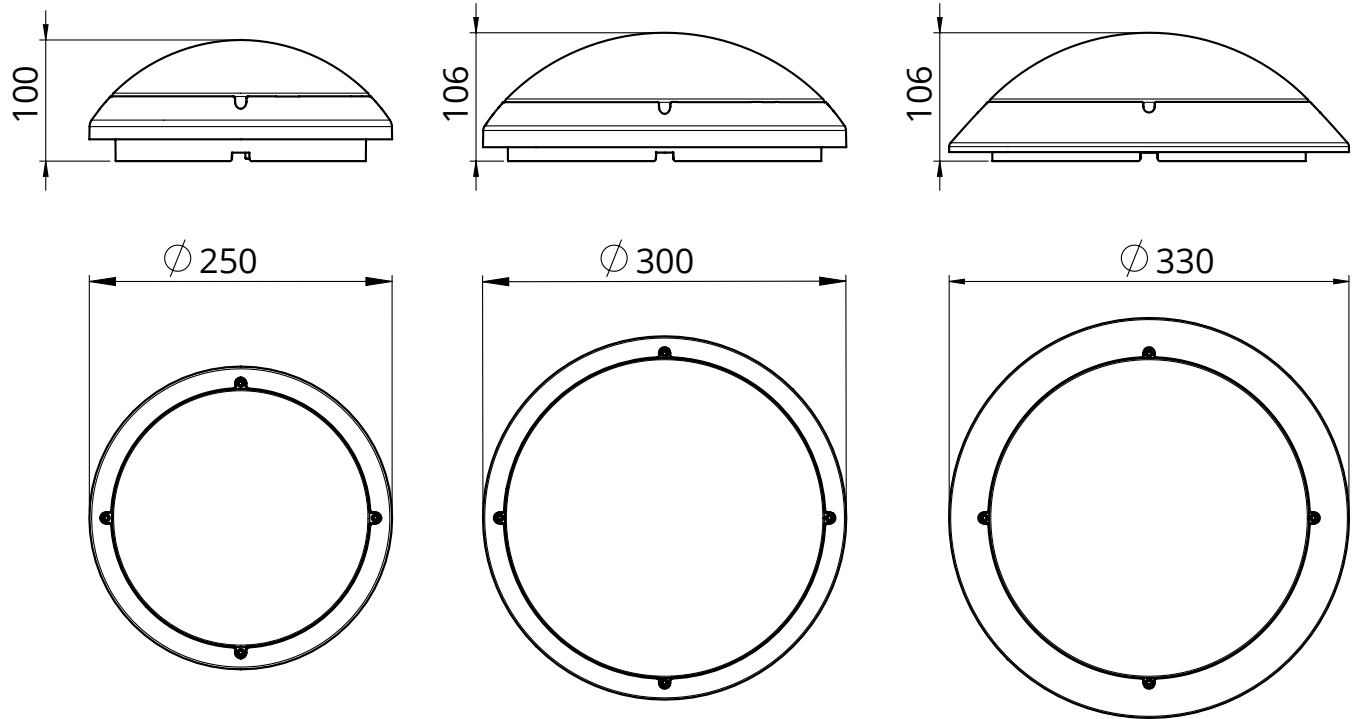
Included within the box are required dowels and screws for installation.  
The Eyelid accessory is applicable for the fixtures with Ø300mm only.



## Specifications

Input Voltage [V]	220-240
Input Frequency [Hz]	50/60
Power Factor	>0.95
Displacement factor	0.9

## Dimensions (mm)



Range	Diameter	Height
D25	$\varnothing 250$ mm	100mm
D30	$\varnothing 300$ mm	106mm
D33	$\varnothing 330$ mm	106mm

## Regulatory and standards

**Regulatory marks:** CE, UKCA

**Regulations:** 2014/35/EU, 2014/30/EU, 2011/65/EU, (framework 2009/125/EC) EU/1194/2012 amended by EU 2015/1428, (framework 2010/30/EC) 874/2012 and 518/2014\*, 2012/19/EU\*

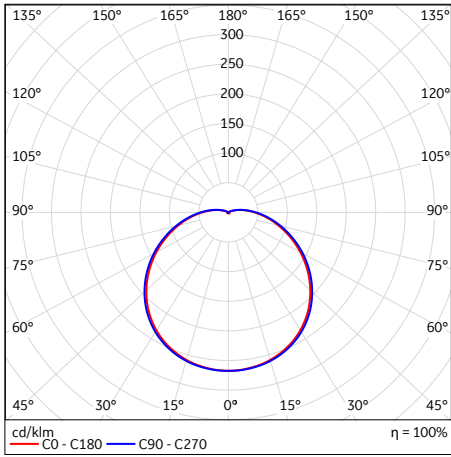
**Harmonized standards:** EN 60598, EN 62493, EN 61547, EN55015, EN 61000, look for CE Declaration of Conformity and Technical File for details

Photobiological risk assesment is maximum group 1. The product is considered safe, does not pose any photobiological hazard

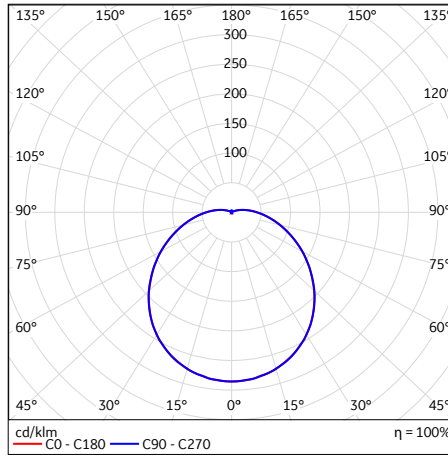
\*not on DOC



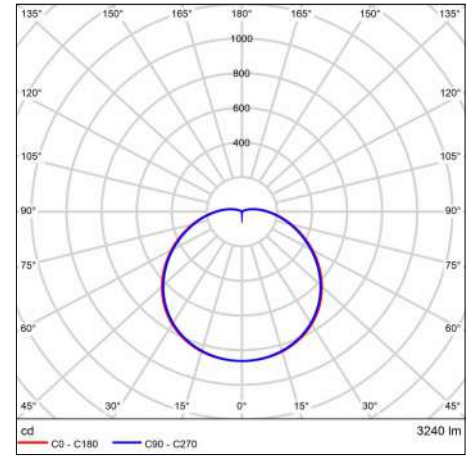
# Photometric data



Ø250 17W



Ø300 25W



Ø330 27W

Only for indicative purpose. For lighting design, please use the ldt photometry files available for the products.

## Order logic

Internal Code	Gen.	Brand	Diameter	System Wattage	CRI	CCT	Control	Emergency option	Motion Sensor	Shipment
<b>LED Bulkhead</b>	<b>G2 - Generation 2</b>	<b>TU - Tungsram</b>	<b>D33 - 330mm</b>	<b>17W</b>	<b>8 - 80</b>	<b>30 - 3000K</b>	<b>S - Static</b> <b>D - DALI</b>	<b>EM - Integrated Emergency</b> <b>NN - No Emergency</b>	<b>M - Motion Sensor</b> <b>N - No Sensor</b>	<b>DS - Direct Shipment</b>
			<b>D30 - 300mm</b>	<b>20W</b> <b>25W</b> <b>27W</b>		<b>40 - 4000K</b>				
			<b>D25 - 250mm</b>	<b>30W</b>		<b>65 - 6500K</b>				



D30 Bulkhead with Eyelid accessory