



LED Start GU10

3.5W & 5W Equivalents for 35W & 50W

Product information

This new entry level range of highly competitive LED GU10 and R50 products consume only 3.5W and 5W respectively and offer a fantastic energy saving alternative to 50W and 35W Halogen GU10 lamps.

Features & Benefits

- Total lumens: up to 270 (3.5W) and up to 390 (5W)
- Four colour temperatures: 2700K, 3000K, 4000K, 6500K
- Competitive lifetime: up to 15000 hours (L70/B50)
- A+ Energy Class
- Warranty: 2 years with maximum 8000 burning hours according to TungSRam Operations Kft. Standard Warranty conditions

Application areas



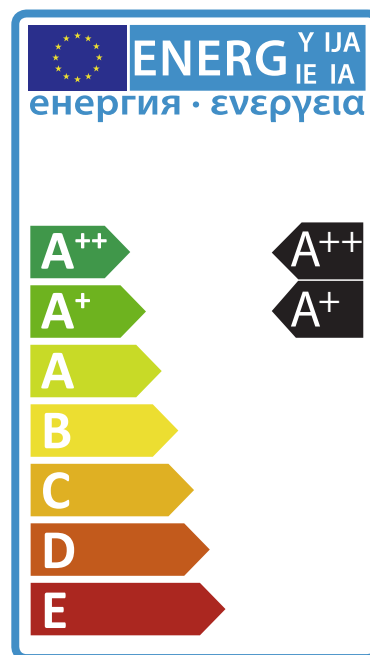
Home



Hospitality



Retail



IEC Standards

- EN 55015: Limits and methods of measurement of radio disturbance characteristics of electrical lighting
- EN 61547: Equipment for general lighting purposed EMC immunity requirements
- EN 61000-3-2: Limits for harmonic current emissions (equipment rated current <=16A)
- EN 61000-3-3: Limitation of voltage fluctuations and flicker in low voltage supply systems (equipment rated current <=16A)
- EN 62560: Self-ballasted LED lamp for general lighting services voltage 50~250V-safety specification
- IEC 62471: Photo biological safety of lamps and lamp systems
- IEC/TR 62778: Assessment of blue light hazard to light sources and luminaires
- EN62493: Assessment of lighting equipment related to human exposure to electromagnetic fields DATA SHEET Retail Home
- IES LM79: Electrical and Photometric Measurement of SSL Products

Specification summary

Product Code	Direct Shipment Product Code	Product Description	Nominal/ Rated Power (W)	Repl Watt (W)	Nominal/ Rated Lumens (lm)	Nominal/ Rated Useful Lumens	Rated Peak Intensity (cd)	CCT (K)	WEC (kwh/1000h)	Pack Qty
93067831	93094479	LED Start GU10 3.5W(35) 827 35°	3,5	35	240	230	550	2700	4	1/8
93094480	93094481	LED Start GU10 3.5W(35) 830 35°	3,5	35	250	240	550	3000	4	1/8
93094482	93094483	LED Start GU10 3.5W(35) 840 35°	3,5	35	270	250	550	4000	4	1/8
93094484	93094485	LED Start GU10 3.5W(35) 865 35°	3,5	35	250	240	550	6500	4	1/8
93067832	93094486	LED Start GU10 5W(50) 827 35°	5,0	50	360	345	700	2700	5	1/8
93094487	93094488	LED Start GU10 5W(50) 830 35°	5,0	50	380	360	700	3000	5	1/8
93094489	93094490	LED Start GU10 5W(50) 840 35°	5,0	50	390	365	700	4000	5	1/8
93094491	93094492	LED Start GU10 5W(50) 865 35°	5,0	50	380	360	700	6500	5	1/8

Common attributes

- Nominal/ Rated Life (L70/B50 hours): 15000 Hrs
- Cap/Base: GU10
- Nominal/Rated Beam Angle : 35°
- Colour Rendering Index >80
- Input Voltage 220-240V
- Start-up/Warm-up time: <1sec/instant
- Switching Cycles: 50,000
- Power factor: 0.5
- Lumen Maintenance Factor: 0.7
- Colour consistency: <6 SDCM
- A+ Energy Class

Dimensions (mm)



Recommended operation temperature

This Max. for L70/B50 for 3.5W 75°C, for 5W 75°C



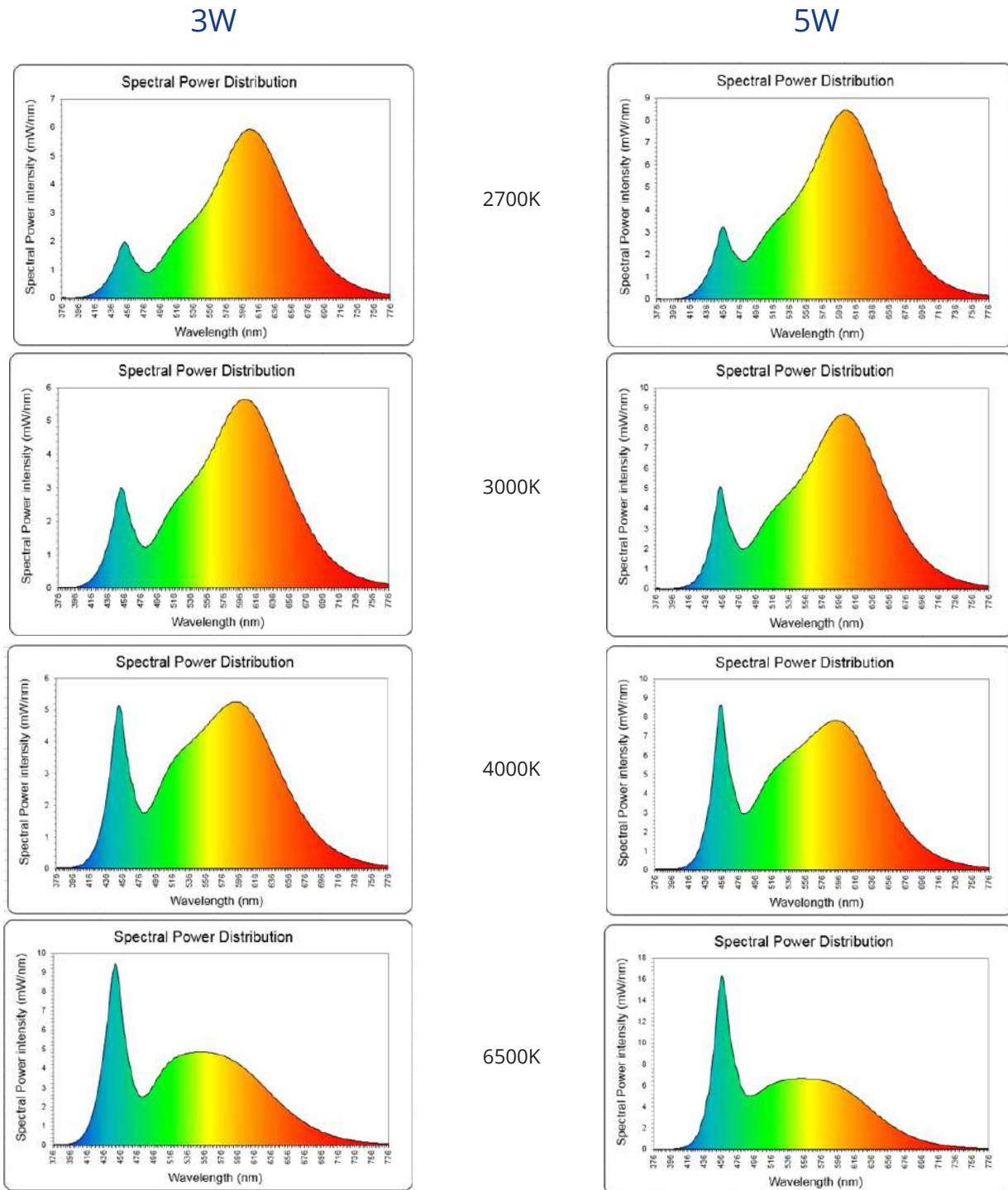
Packaging image



Operation and maintenance

- Store and use the lamps the same way as traditional lamps.
- Check your fixtures are properly wired and don't deliver voltage spike to lamps causing overheating/failure.
- Ambient temperature range -20° C to 40° C
- Lamps should be kept free from contamination.
- Good condition of the lamp-holder contacts is important to ensure proper operation of lamp.
- Ensure lamp is cool before removing.
- Switch off mains supply before installing/removing lamp.
- Not for use in totally enclosed recessed fixtures.
- Tungsham LED Start GU10 35 & 50W replacements are non-dimmable lamps

Spectral distributions



All values 180-400nm are 0



LED Energy Smart™ GU10 High Lumen Dimmable

6W equivalent for 70W & 75W



DATA SHEET

Product information

This LED High Lumen range provides a high quality, dimmable replacement for 70W & 75W Halogen products. The range consist of two colour temperatures, both available in standard (35°) and wide (60°) beam angles.

Features & Benefits

- 50W equivalent
- Total Lumens: up to 600lm
- 25 000 hours solution (L70/B50)
- Two colour temperatures: 3000K, 4000K
- A+ & A++ Energy Class
- 35° & 60° Beam Angle
- Warranty: 2 years with maximum 8000 burning hours according to Tungsram Operations Kft. Standard Warranty conditions

Application areas



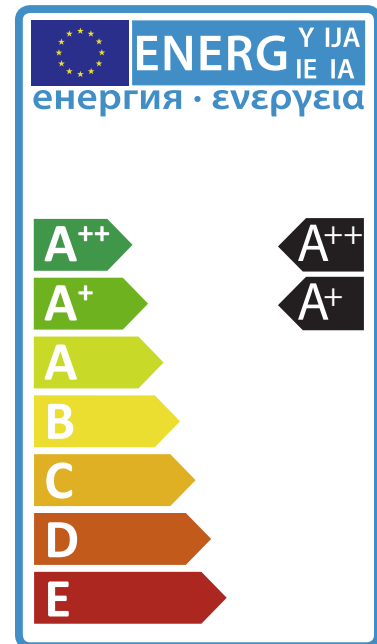
Home



Hospitality



Retail



IEC Standards

EN 55015:	Limits and methods of measurement of radio disturbance characteristics of electrical lighting
EN 61547:	Equipment for general lighting purposed EMC immunity requirements
EN 61000-3-2:	Limits for harmonic current emissions (equipment rated current <=16A)
EN 61000-3-3:	Limitation of voltage fluctuations and flicker in low voltage supply systems (equipment rated current <=16A)
EN 62560:	Self-ballasted LED lamp for general lighting services voltage 50~250V-safety specification
IEC 62471:	Photo biological safety of lamps and lamp systems
IEC/TR 62778:2014:	Assessment of blue light hazard to light sources and luminaries
EN 62493:2010:	Assessment of lighting equipment related to human exposure to electromagnetic fields

Specification summary

Product Code	Direct Shipment Product Code	Product Description	Nom./ Rated Power (W)	Repl Watt (W)	Nom./ Rated Beam Angle (°)	Nom./ Rated Lumens (lm)	Nom./ Rated Useful Lumens (lm)	Rated Peak Intensity (cd)	Nom./ Rated Life (L70/ B50 hours)	CCT (K)	WEC (kwh/ 1000h)	Pack Qty	EEC
93094499	93094500	LED ESmart GU10 6W(70)Dim 830 35°	6,0	70	35	560	500	1000	25 000	3000	6,0	1/8	A+
93094501	93094502	LED ESmart GU10 6W(75)Dim 830 60°	6,0	70	60	560	500	550	25 000	3000	6,0	1/8	A+
93094503	93094504	LED ESmart GU10 6W(70)Dim 840 35°	6,0	75	35	600	540	1000	25 000	4000	6,0	1/8	A++
93094505	93094506	LED ESmart GU10 6W(75)Dim 840 60°	6,0	75	60	600	540	550	25 000	4000	6,0	1/8	A++

Common attributes

- Nominal/ Rated Life (L70/B50 hours): 25 000 Hrs
- Cap/Base: GU10
- Nominal/Rated Beam Angle : 35° & 60°
- Input Voltage 220-240V
- Colour Rendering Index >80
- Start-up/Warm-up time: <1 s
- Switching Cycles: 100 000
- Power factor: 0.8
- Lumen Maintenance Factor: 0.7
- A+, A++ Energy Efficiency
- Dimmable

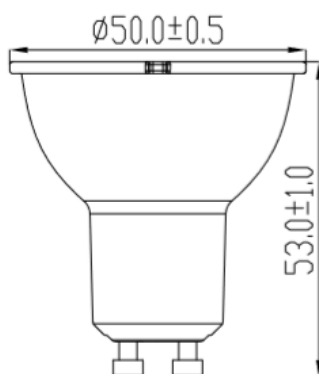
Recommended operation temperature

This max for L70/B50: 80°C

Tsh test point



Dimensions (mm)



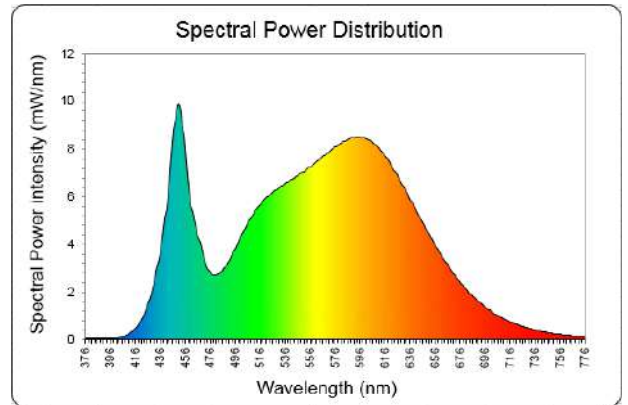
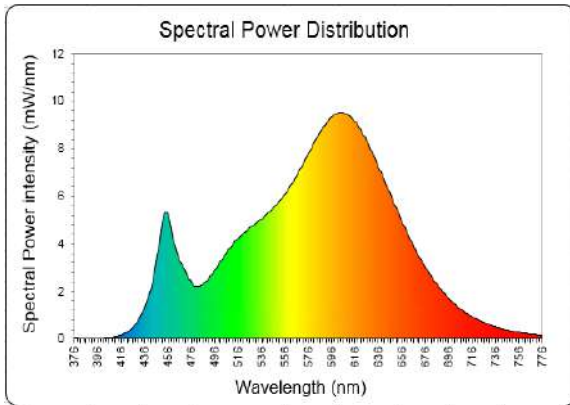
Packaging image



Operation and maintenance

- Store and use the lamps the same way as traditional lamps.
- Check your fixtures are properly wired and don't deliver voltage spike to lamps causing overheating/failure.
- Ambient temperature range -20° C to 40°C
- Lamps should be kept free from contamination.
- Good condition of the lamp-holder contacts is important to ensure proper operation of lamp.
- Ensure lamp is cool before removing.
- Switch off mains supply before installing/removing lamps.
- Not for use in totally enclosed recessed fixtures.
- These Energy Smart™ High Lumen Dimmable lamps are dimmable on most leading and trailing edge dimmers, for more information please check our website www.tungsr.com/dimming-led

Spectral distributions



All values 180-400nm are 0



LED Precise™ GU10 Dimmable

6W Replacement for 50W



DATA SHEET

Product information

GE's LED technology surpasses current market expectations for GU10 performance. This advanced new design puts GE at the cutting edge of LED innovation. Superior Colour Consistency within 4 steps on Macadam ellipse, 95Ra Colour Rendering Index and R9 > 90 combine for excellent light quality and accurate reproduction of deep red colours in merchandise displays or furniture. Long Lifetime at 50,000 Hrs with high Lumen output provides a very high-quality performance product. Available in three colour temperatures and two beam angles with smooth heat sink and a very wide light emitting surface area.

Features & Benefits

- 95Ra Colour Rendering Index and R9 > 90
- COB design for halogen look-alike aesthetics
- Wide light emitting surface area reduces glare
- Flat front face with smooth heat sink
- Extra-long L70 life for reduced maintenance costs
- Total Lumen output of 360, 380 and 410 Lumens
- Compatible dimming on leading edge and trailing edge dimmers

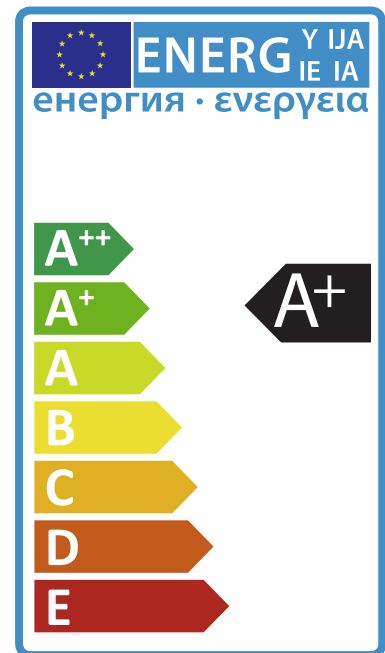
Application areas



Hospitality



Retail



IEC Standards

EN 62560:2012+Al:2015	Self-ballasted lamps for general lighting services by voltage > 50V - Safety specifications
EN 62471:2008	Photo biological safety of lamps and lamp systems
IEC/TR 62778:2014	Assessment of blue light hazard to light sources and luminaires
EN 62493:2010	Assessment of lighting equipment related to human exposure to electromagnetic fields
EN 55015:2013+Al:2015	limits and methods of measurement of radio disturbance characteristics of electrical lighting and similar equipment
EN 61547:2009	Equipment for general lighting purposes - EMC immunity requirements
EN 61000-3-2:2014	Electromagnetic compatibility (EMC) - Part 3-2: limits - limits for harmonic current emissions (equipment input current up to and including 16A per phase)
EN 61000-3-3:2013	Electromagnetic compatibility (EMC) - Part 3-3: limits - limitation of voltage fluctuations and flicker in low-voltage supply systems for equipment with rated current I_n to 16A

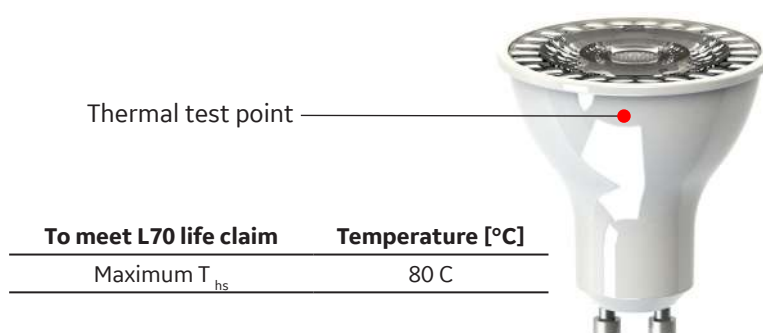
Specification summary

Product Code	Product Description	Dimm.	Nominal Power (W)	Repl. Watt (W)	Rated Angle (°)	Total Lumens (Lm)	90deg cone Lumens (Lm)	CBCP	CCT (K)	CRI	Pack Qty
93074767	LED Precise GU10 6W(50)Dim 927 20°	Yes	6	50	20°	360	350	1500	2700	95	1/10
93074768	LED Precise GU10 6W(50)Dim 927 35°	Yes	6	50	35°	360	350	800	2700	95	1/10
93074769	LED Precise GU10 6W(50)Dim 930 20°	Yes	6	50	20°	380	370	1600	3000	95	1/10
93074770	LED Precise GU10 6W(50)Dim 930 35°	Yes	6	50	35°	380	370	900	3000	95	1/10
93074771	LED Precise GU10 6W(50)Dim 940 20°	Yes	6	50	20°	410	400	1700	4000	95	1/10
93074772	LED Precise GU10 6W(50)Dim 940 35°	Yes	6	50	35°	410	400	1000	4000	95	1/10

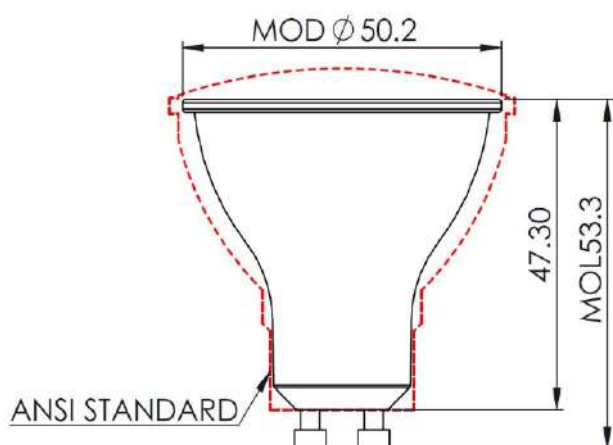
Common attributes

- 50,000 hours lifetime
- Colour Rendering Index >95
- R9>90
- Input Voltage 220-240V
- Warm up time: Instant on
- Switching Cycles: 100,000
- Power factor: >0.9
- A+ Energy Efficiency
- GU10 cap/base

Recommended operation temperature



Dimensions (mm)



Packaging image



Operation and maintenance

- Store and use the lamps the same way as traditional lamps.
- Check your fixtures are properly wired and don't deliver voltage spike to lamps causing overheating/failure.
- Ambient temperature range -20° C to 40°C
- Lamps should be kept free from contamination.
- Good condition of the lamp-holder contacts is important to ensure proper operation of lamp.
- Ensure lamp is cool before removing.
- Switch off mains supply before installing/removing lamp.
- Not for use in totally enclosed recessed fixtures.

GE LED Precise™ GU10 6W lamps are dimmable on most leading and trailing edge dimmers, for more information please check our website www.gelighting.com/dimming-led.



www.gelighting.com

 and General Electric are both registered trademarks of the General Electric Company

GE Lighting is constantly developing and improving its products. For this reason, all product descriptions in this brochure are intended as a general guide, and we may change specifications time to time in the interest of product development, without prior notification or public announcement. All descriptions in this publication present only general particulars of the goods to which they refer and shall not form part of any contract. Data in this guide has been obtained in controlled experimental conditions. However, GE Lighting cannot accept any liability arising from the reliance on such data to the extent permitted by law.

LED GU10 Precise 6W Gen8 Data Sheet - January 2018