

Tudolio

The right light source for your space



DATA SHEET

Product information

Tungsräm Tudolio range offers flexible options to design the right lighting for the given indoor space. Beyond the basic options, the designer has the opportunity to adjust almost all the parameters, like the color temperature, color rendering or control system. Create your space with 21 century lighting fixtures.

Features

- 3 sizes diameter – 100mm, 200mm, 300mm
- 3 mount mode – Recessed, Surface mount, Pendant
- Driver options – Static, 1-10V, DALI
- Superior color rendering, CRI: 92 or 80+
- Selectable CCT – 3000K, 4000K and 5700K
- Specular Reflector
- IP44 protection

Benefits

- Wide flexibility in final lamp specification
- High quality design
- Long lifetime with 50.000hours

Application areas



Retail / Hotel
Restaurant



Commercial lighting /
Office / Showrooms

Reflectors



Specular

Additional Options

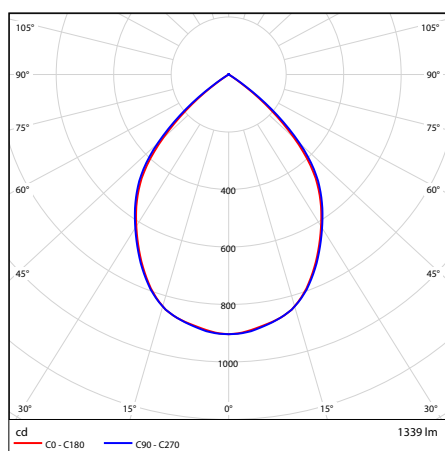
- CRI90+
- 3000K, 4000K, 5700K
- Gold and White reflector

Specification summary

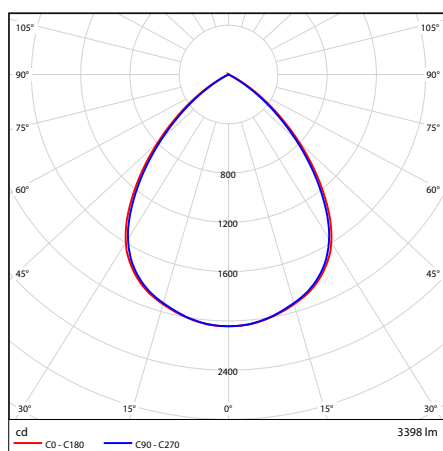
Product Description	Tungram Product Code	Wattage (W)	Lumen (lm)	System Efficiency (lm/W)	Dimensions (mm)	Control	Weight (kg)	CRI (Ra)	EEC	Diffuser Type	Application	Pack Qty
TUD 13W 80 S 100 WH RE SP S85	93117439	13	1340	103	Ø 124 x 84	static	0,6	80+	A++	Specular	Recessed	1
TUD 13W 80 D 100 WH RE SP S85	93117440	13	1340	103	Ø 124 x 84	DALI	0,6	80+	A++	Specular	Recessed	1
TUD 30W 80 S 200 WH RE SP S85	93117441	30	3400	113	Ø 221 x 109	static	1,3	80+	A++	Specular	Recessed	1
TUD 30W 80 D 200 WH RE SP S85	93117442	30	3400	113	Ø 221 x 109	DALI	1,2	80+	A++	Specular	Recessed	1
TUD 37W 80 S 300 WH RE SP S85	93117443	37	4500	122	Ø 320 x 113	static	1,8	80+	A++	Specular	Recessed	1
TUD 37W 80 D 300 WH RE SP S85	93117444	37	4500	122	Ø 320 x 113	DALI	1,7	80+	A++	Specular	Recessed	1
TUD 13W 80 S 100 WH SM SP S85	93117445	13	1340	103	Ø 106 x 152	static	0,9	80+	A++	Specular	Surface mount	1
TUD 13W 80 S 100 BL SM SP S85	93117456	13	1340	103	Ø 106 x 152	static	0,9	80+	A++	Specular	Surface mount	1
TUD 30W 80 S 200 WH SM SP S85	93117457	30	3400	113	Ø 203 x 173	static	2,4	80+	A++	Specular	Surface mount	1
TUD 30W 80 D 200 WH SM SP S85	93117458	30	3400	113	Ø 203 x 173	DALI	2,4	80+	A++	Specular	Surface mount	1
TUD 13W 80 S 100 WH PE SP S85	93117459	13	1340	103	Ø 114 x 413.9	static	1,3	80+	A++	Specular	Pendant	1
TUD 13W 80 S 100 BL PE SP S85	93117460	13	1340	103	Ø 114 x 413.9	static	1,3	80+	A++	Specular	Pendant	1
TUD 30W 80 S 200 WH PE SP S85	93117461	30	3400	113	Ø 203 x 436	static	2,7	80+	A++	Specular	Pendant	1
TUD 30W 80 D 200 WH PE SP S85	93117462	30	3400	113	Ø 203 x 436	static	2,7	80+	A++	Specular	Pendant	1
TUD 13W 90 S 100 WH RE SP S85	93117463	13	1100	85	Ø 124 x 84	static	0,6	92	A	Specular	Recessed	1
TUD 13W 90 D 100 WH RE SP S85	93117464	13	1100	85	Ø 124 x 84	static	0,6	92	A	Specular	Recessed	1
TUD 30W 90 S 200 WH RE SP S85	93117465	30	2800	92	Ø 221 x 109	static	1,3	92	A	Specular	Recessed	1
TUD 30W 90 D 200 WH RE SP S85	93117466	30	2800	92	Ø 221 x 109	static	1,2	92	A	Specular	Recessed	1
TUD 37W 90 S 300 WH RE SP S85	93117467	37	3650	99	Ø 320 x 113	static	1,8	92	A	Specular	Recessed	1
TUD 37W 90 D 300 WH RE SP S85	93117468	37	3650	99	Ø 320 x 113	static	1,7	92	A	Specular	Recessed	1
TUD 13W 90 S 100 WH SM SP S85	93117469	13	1100	85	Ø 106 x 152	static	0,9	92	A	Specular	Surface mount	1
TUD 13W 90 S 100 BL SM SP S85	93117470	13	1100	85	Ø 106 x 152	static	0,9	92	A	Specular	Surface mount	1
TUD 30W 90 S 200 WH SM SP S85	93117471	30	2800	93	Ø 203 x 173	static	2,4	92	A	Specular	Surface mount	1
TUD 30W 90 D 200 WH SM SP S85	93117472	30	2800	93	Ø 203 x 173	static	2,4	92	A	Specular	Surface mount	1
TUD 13W 90 S 100 WH PE SP S85	93117473	13	1100	85	Ø 114 x 413.9	static	1,3	92	A	Specular	Pendant	1
TUD 13W 90 S 100 BL PE SP S85	93117474	13	1100	85	Ø 114 x 413.9	static	1,3	92	A	Specular	Pendant	1
TUD 30W 90 S 200 WH PE SP S85	93117475	30	2800	93	Ø 203 x 436	static	2,7	92	A	Specular	Pendant	1
TUD 30W 90 D 200 WH PE SP S85	93117476	30	2800	93	Ø 203 x 436	DALI	2,7	92	A	Specular	Pendant	1

All the products have selectable colour temperatures - 3000K, 4000K, 5700K
Available from May 2020.

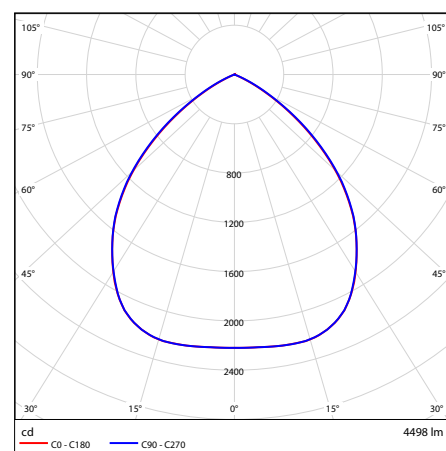
Photometric data



13W



30W



37W

Photometry is based on LM79

Regulatory and standards

Regulatory mark: CE

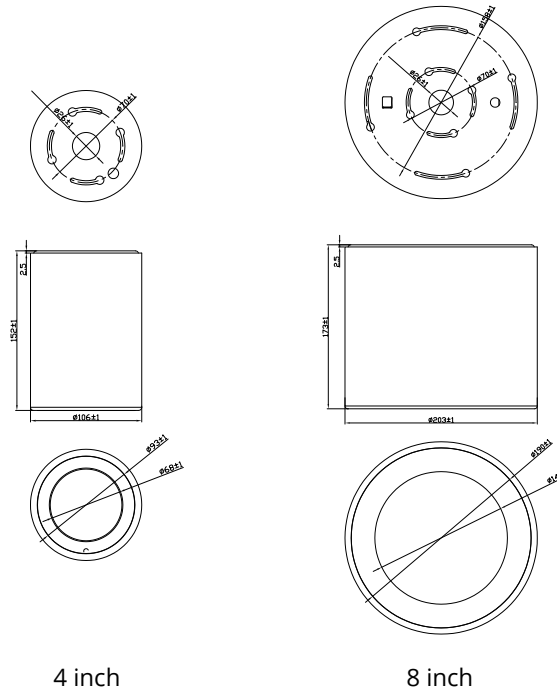
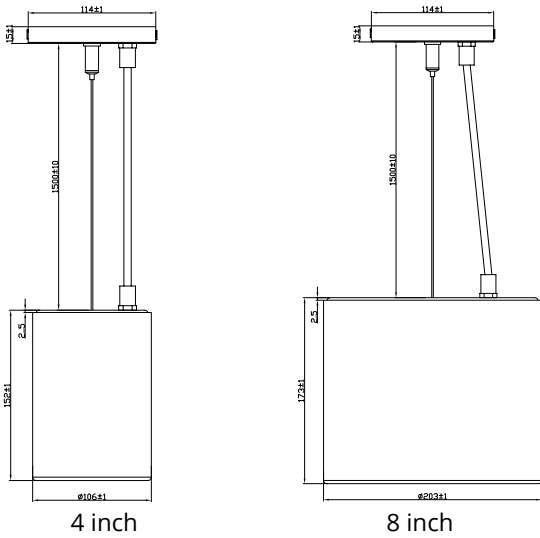
Regulations: 2014/35/EU, 2014/30/EU, 2011/65/EU, (framework 2009/125/EC) EU/1194/2012 amended by EU 2015/1428, (framework 2010/30/EC) 874/2012 and 518/2014, 2012/19/EU

Harmonized standards: EN 60598, EN 62493, EN 61547, EN55015, EN 61000, refer to CE Declaration of Conformity and Technical File for details Photobiological risk assessment group 1. The product is considered safe, does not pose any photobiological hazard

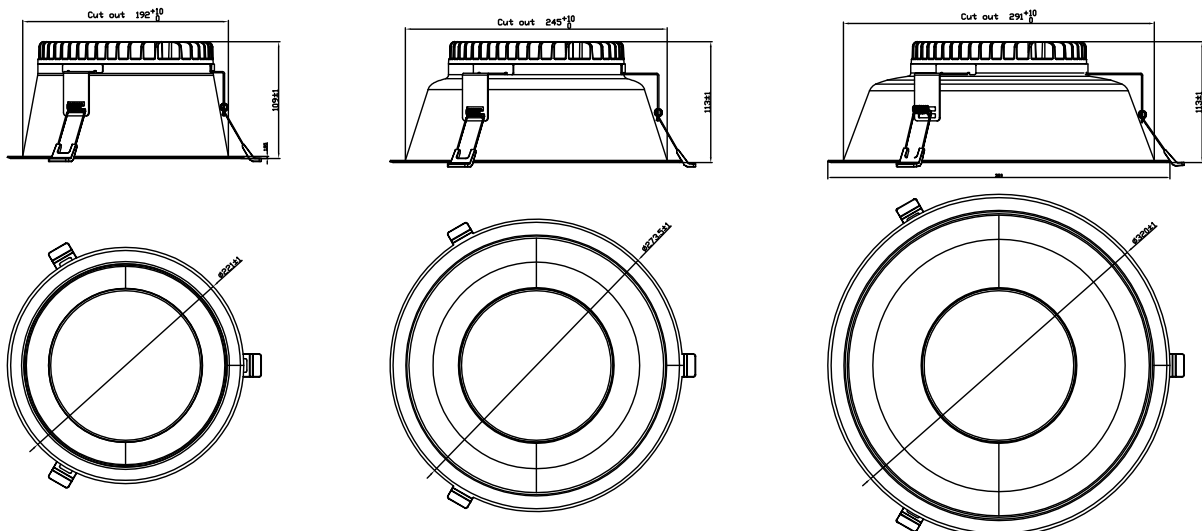
Dimensions (mm)

Pendant

Surface



Recessed



Regulatory and standards

Regulatory mark: CE

Regulations: 2014/35/EU, 2014/30/EU, 2011/65/EU, (framework 2009/125/EC) EU/1194/2012 amended by EU 2015/1428, (framework 2010/30/EC) 874/2012 and 518/2014, 2012/19/EU

Harmonized standards: EN 60598, EN 62493, EN 61547, EN55015, EN 61000, refer to CE Declaration of Conformity and Technical File for details Photobiological risk assessment group 1. The product is considered safe, does not pose any photobiological hazard

Fixture structure

